

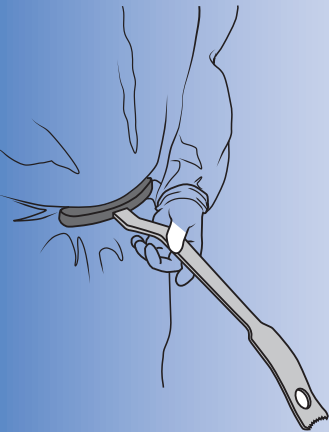
Bacastow Femoral Cement Osteotome

Designed by David Bacastow, MD

Uniquely shaped osteotome designed to help trim away cement from around a femoral knee component

PRODUCT NO:

5234
Overall Length: 9.25" (23,5 cm)
Width: 6,5 mm
Tongue Length: 7 mm



Hip Retractor with Waist Pad

Designed by Luis Lilloa. Waist Pad designed by Christopher Blair, MD.

Designed for use during the posterior approach hip arthroplasty, helping to eliminate the use of another hand by resting the waist pad against the body



PRODUCT NO:

7557
Overall Length: 14.25" (36,2 cm)
Blade Width: 34 mm
Blade Length: 4" (10,2 cm)
Blade Hole: 23,6 mm x 15,4 mm



LED Disposable Light Source and Reusable Light Probe Kit

Light wand designed for illumination of deep incisions – for use with the Innomed LED Disposable Light Source



PRODUCT NO'S:

8010-00 [Kit – Probe with Disposable LED Light Source]
Overall Length: 2.5" (6,4 cm)
Diameter: 1" (2,54 cm)

Individual Product Numbers:

8010-01 [Disposable LED Light Source] — Package of 1
Overall Length: 2.5" (6,4 cm)
Diameter: 1" (2,54 cm)

8010-10 [Disposable LED Light Source] — Package of 10



Modified Winged Fakuda Retractor

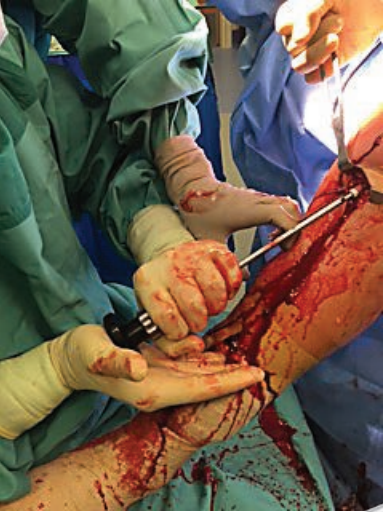
Designed by Scot Rheinecker, PA

Designed with flared edges for less pressure on soft tissues

PRODUCT NO:

1896
Overall Length: 7.5 (19,1 cm)
Blade Width: 36 mm
Opening: 29 x 40 mm





Paulos Self-Guided Screwdriver Set

Designed by P. Leon Paulos, MD

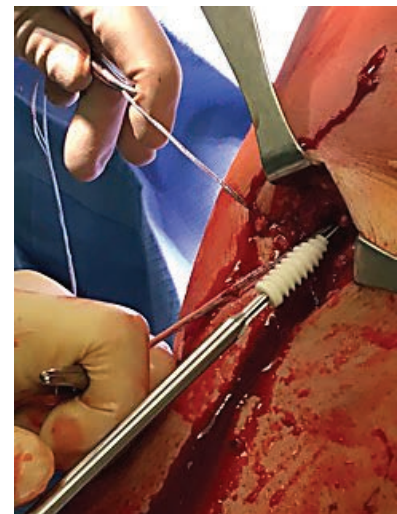
Designed to help when inserting and removing cannulated interference screws for bone and soft tissue fixation in tunnels

Drivers in both Tri Lobe and Hex styles.



For use under U.S. Patent 8,814,935.

PRODUCT NO'S:	
8239-00	[Complete Set] Includes: (1) Screwdriver Handle, (1) Tri-Lobe Driver, (1) Hex Driver, (2) Guide Pins, and (1) Sterilization Case
Set Includes: (Also available individually)	
8239-H	[Screwdriver Handle]
8239-01	[Tri Lobe Driver]
8239-02	[Hex Driver]
8239-GP	[Guide Pin] <i>One with this product number, two included in set</i>
1015	[Sterilization Case]

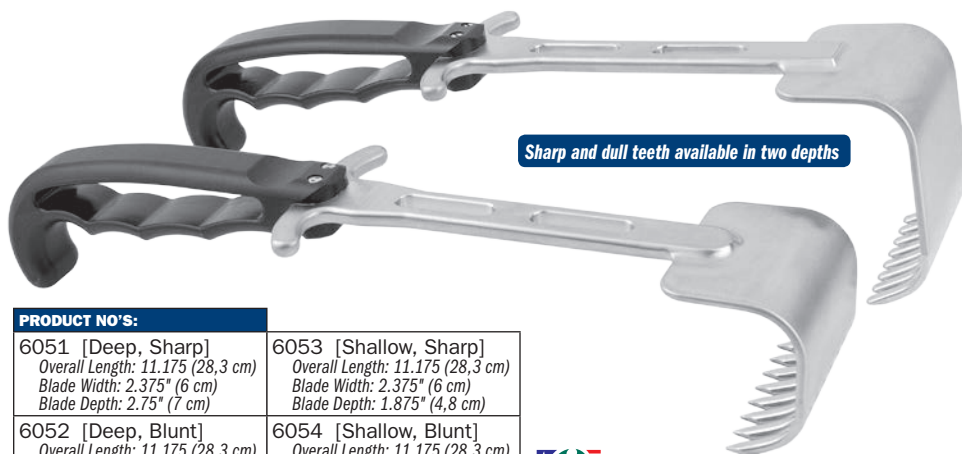
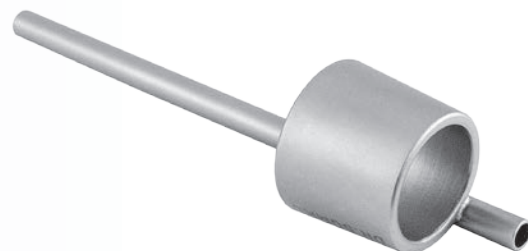


Sumko Surgical Finger Guide

Designed by Michael H. Sumko, MD

Used to help insert a 3.2 mm guide wire, especially during hip fracture surgery, to help prevent puncturing the surgeons' glove

PRODUCT NO:
8991 Overall Length: 4" (10,2 cm)



Sharp and dull teeth available in two depths

PRODUCT NO'S:	
6051 [Deep, Sharp] Overall Length: 11.175 (28,3 cm) Blade Width: 2.375" (6 cm) Blade Depth: 2.75" (7 cm)	6053 [Shallow, Sharp] Overall Length: 11.175 (28,3 cm) Blade Width: 2.375" (6 cm) Blade Depth: 1.875" (4,8 cm)
6052 [Deep, Blunt] Overall Length: 11.175 (28,3 cm) Blade Width: 2.375" (6 cm) Blade Depth: 2.75" (7 cm)	6054 [Shallow, Blunt] Overall Length: 11.175 (28,3 cm) Blade Width: 2.375" (6 cm) Blade Depth: 1.875" (4,8 cm)



Wide Rake Retractors

Designed for general use soft tissue retraction, the ergonomic handle allows for a better grip and less fatigue

Non-glare finish featured on the metal retractor parts.



© 2017 Innomed, Inc.

Innomed, Inc
103 Estus Drive
Savannah, GA 31404
USA

Tel 912.236.0000
Fax 912.236.7766

www.innomed.net
info@innomed.net

Innomed-Europe LLC
Alte Steinhauserstr. 19
CH-6330 Cham
Switzerland

Tel 0041 (41) 740 67 74
Fax 0041 (41) 41 740 67 71

www.innomed-europe.com
info@innomed-europe.net

Innomed-Europe GmbH
c/o Emons Logistik GmbH
In Rammelswiesen 9 D-78056
Villingen-Schwenningen
Deutschland

Tel 0049 (0) 7720 46110 60
Fax 0049 (0) 7720 46110 61

www.innomed-europe.com
info@innomed-europe.net